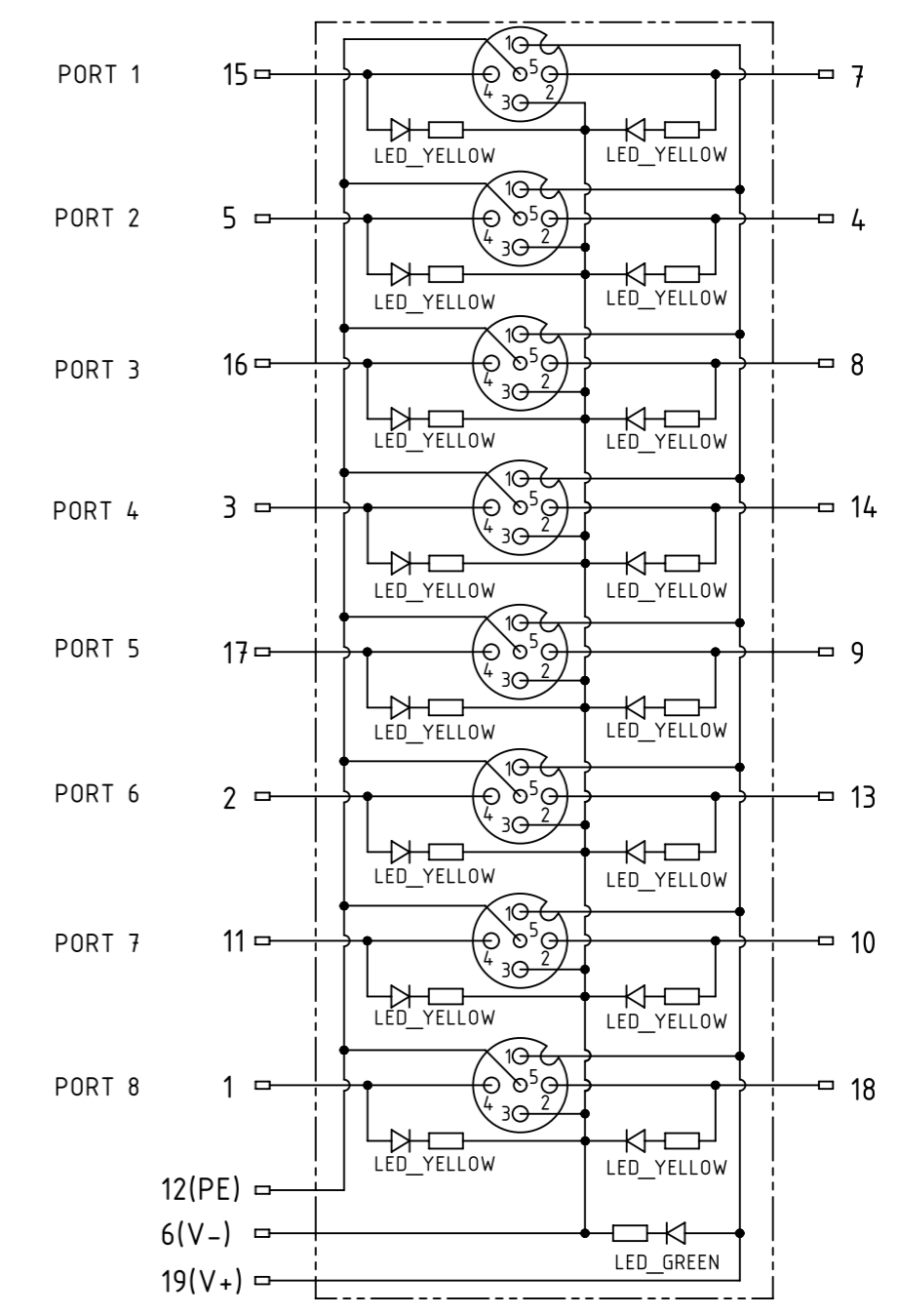


Loading plan



- Protection level: IP67
 - Temperature range: -30°C ... +80°C

All Dimensions in mm		Tech. Character.		Free size tol.		According to production drawing		
	All rights reserved		Created by COSTEA Costea	Inspected by 402676 Gross	Standardisation MUNTEANV Muntean	Date 2020-04-15	State Final Release	
	Department HCS - RO		Title har-SAB M12/8/5p M23/19p				Doc-Key / ECM-Nr. 100689611/UGD/000/D 500000171205	
HARTING Customised Solutions D-32339 Espelkamp			Type TB	Number 090700322200			Rev. D	Page 1/1